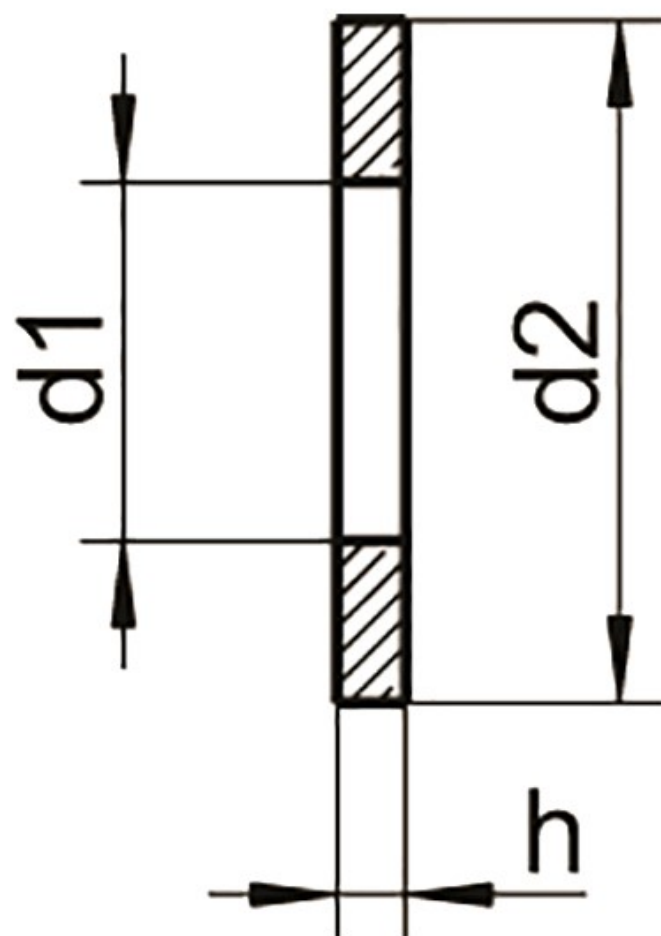
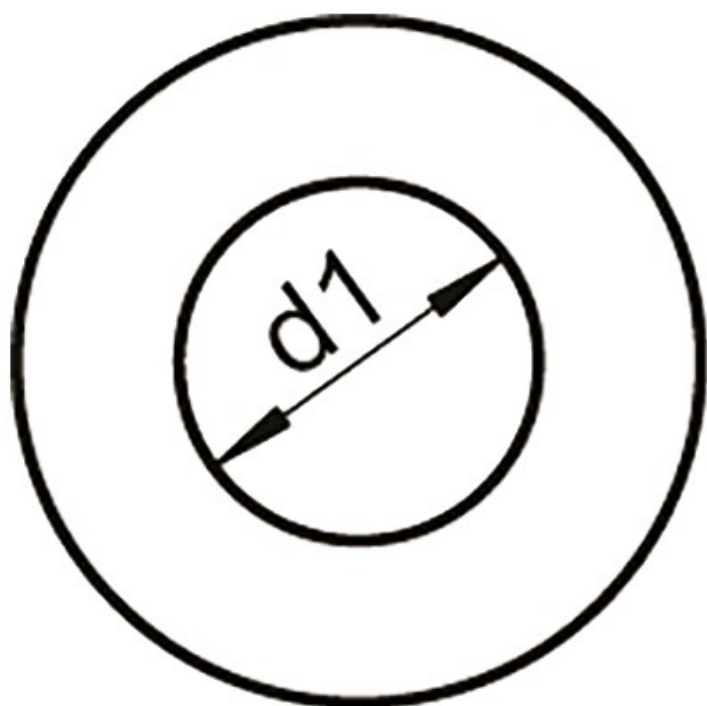




DIN 125A ISO 7089



size	M1.6	M2	M2.5	M2.6	M3	M3.5	M4	M5	M6	M7	M8	M10	M12	M14	M16
d1	1.7	2.2	2.7	2.8	3.2	3.7	4.3	5.3	6.4	7.4	8.4	10.5	13.0	15.0	17.0
d2	4.0	5.0	6.0	7.0	7.0	8.0	9.0	10.0	12.0	14.0	16.0	20.0	24.0	28.0	30.0
h	0.3	0.3	0.5	0.5	0.5	0.5	0.8	1.0	1.6	1.6	1.6	2.0	2.5	2.5	3.0
size	M18	M20	M22	M24	M27	M30	M33	M36	M39	M42	M45	M48	M52	M56	
d1	19.0	21.0	23.0	25.0	28.0	31.0	34.0	37.0	40.0	43.0	46.0	50.0	54.0	58.0	
d2	34.0	37.0	39.0	44.0	50.0	56.0	60.0	66.0	72.0	78.0	85.0	92.0	98.0	105.0	
h	3.0	3.0	3.0	4.0	4.0	4.0	5.0	5.0	6.0	7.0	7.0	8.0	8.0	9.0	