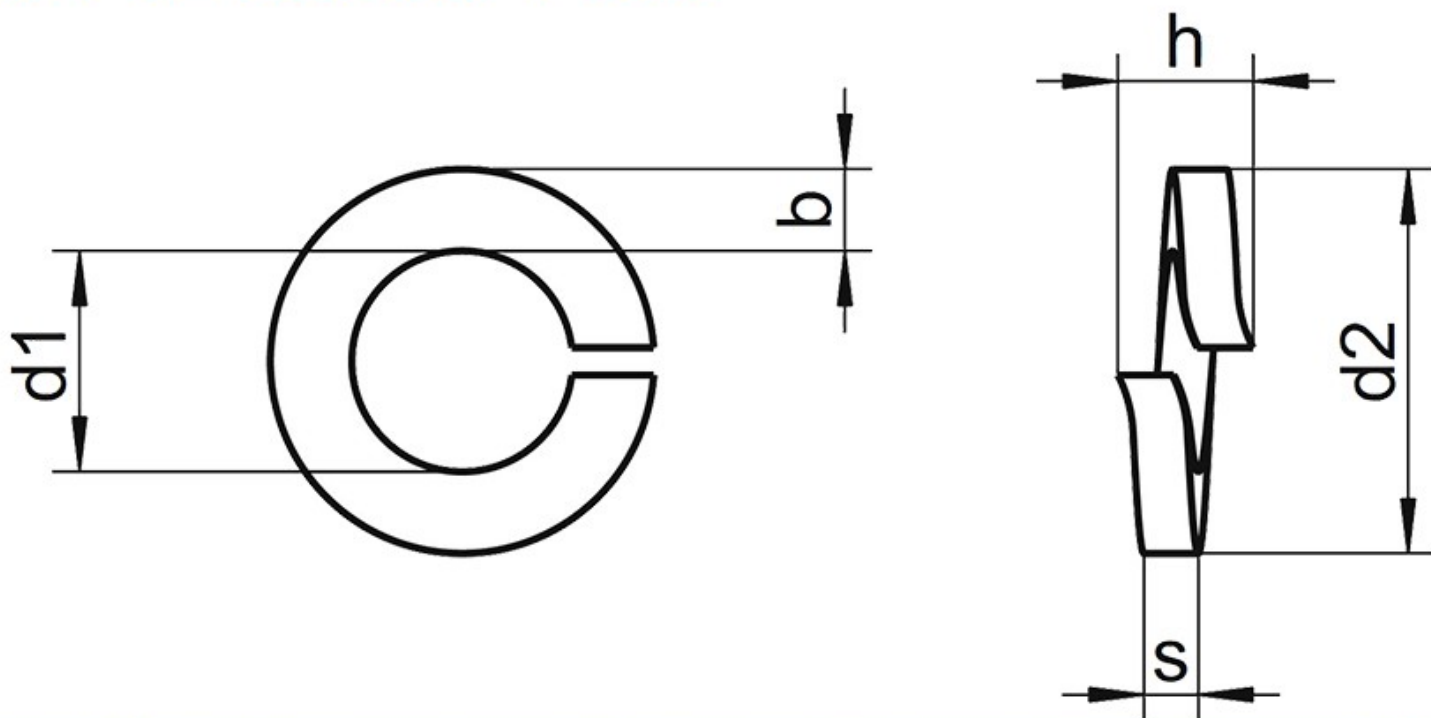




DIN 127A ISO 7090



d	M2	M2.5	M3	M4	M5	M6	M8	M10	M12	M14	M16	M18
d min	2.1	2.6	3.1	4.1	5.1	6.1	8.1	10.2	12.2	14.2	16.2	18.2
d max	2.35	2.85	3.4	4.4	5.4	6.68	8.68	10.9	12.9	14.9	16.9	19.04
h min	0.42	0.57	0.7	1.0	1.2	1.5	2.0	2.45	2.95	3.4	3.9	4.3
h max	0.58	0.73	0.9	1.2	1.4	1.7	2.2	2.75	3.25	3.8	4.3	4.7
H min	1.0	1.3	1.6	2.2	2.6	3.2	4.2	5.2	6.2	7.2	8.2	9.0
H max	1.25	1.63	2.0	2.75	3.25	4.0	5.25	6.5	7.75	9.0	10.25	11.25
d	M20	M22	M24	M27	M30	M33	M36	M39	M42	M45	M48	
d min	20.2	22.5	24.5	27.5	30.5	33.5	36.5	39.5	42.5	45.5	48.5	
d max	21.04	23.34	25.5	28.5	31.5	34.7	37.7	40.7	43.7	46.7	49.7	
h min	4.8	5.3	5.8	6.5	7.2	8.2	8.7	9.7	10.2	10.7	11.7	
h max	5.2	5.7	6.2	7.1	7.8	8.8	9.3	10.3	10.8	11.3	12.3	
H min	10.0	11.0	12.0	13.6	15.0	17.0	18.0	20.0	21.0	22.0	24.0	
H max	12.5	13.75	15.0	17.0	18.75	21.25	22.5	25.0	26.25	27.5	30.0	