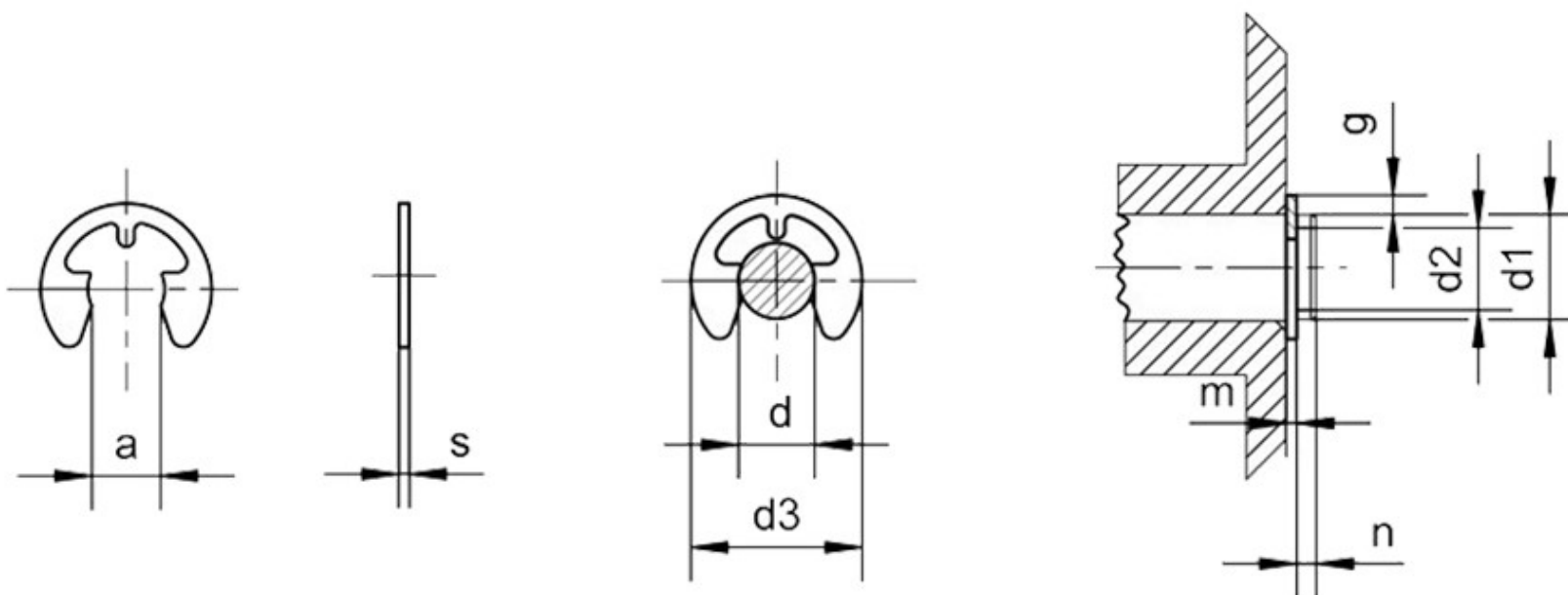




## DIN 6799



d	0.8	1.2	1.5	1.9	2.3	3.2	4	5	6
s	0.2	0.3	0.4	0.5	0.6	0.6	0.7	0.7	0.7
d3	2.25	3.25	4.25	4.8	6.3	7.3	9.3	11.3	12.3
a	1.0	1.4	2.0	2.5	3.0	4.0	5.0	6.0	7.0
d1	1.4	2.0	2.5	3.0	4.0	5.0	7.0	8.0	9.0
d	7	8	9	10	12	15	19	24	30
d3	0.9	1.0	1.1	1.2	1.3	1.5	1.75	2.0	2.5
a	14.3	16.3	18.8	20.4	23.4	29.4	37.6	44.6	52.6
s	8.0	9.0	10.0	11.0	13.0	16.0	20.0	25.0	32.0
d1	11.0	12.0	14.0	15.0	18.0	24.0	31.0	38.0	42.0