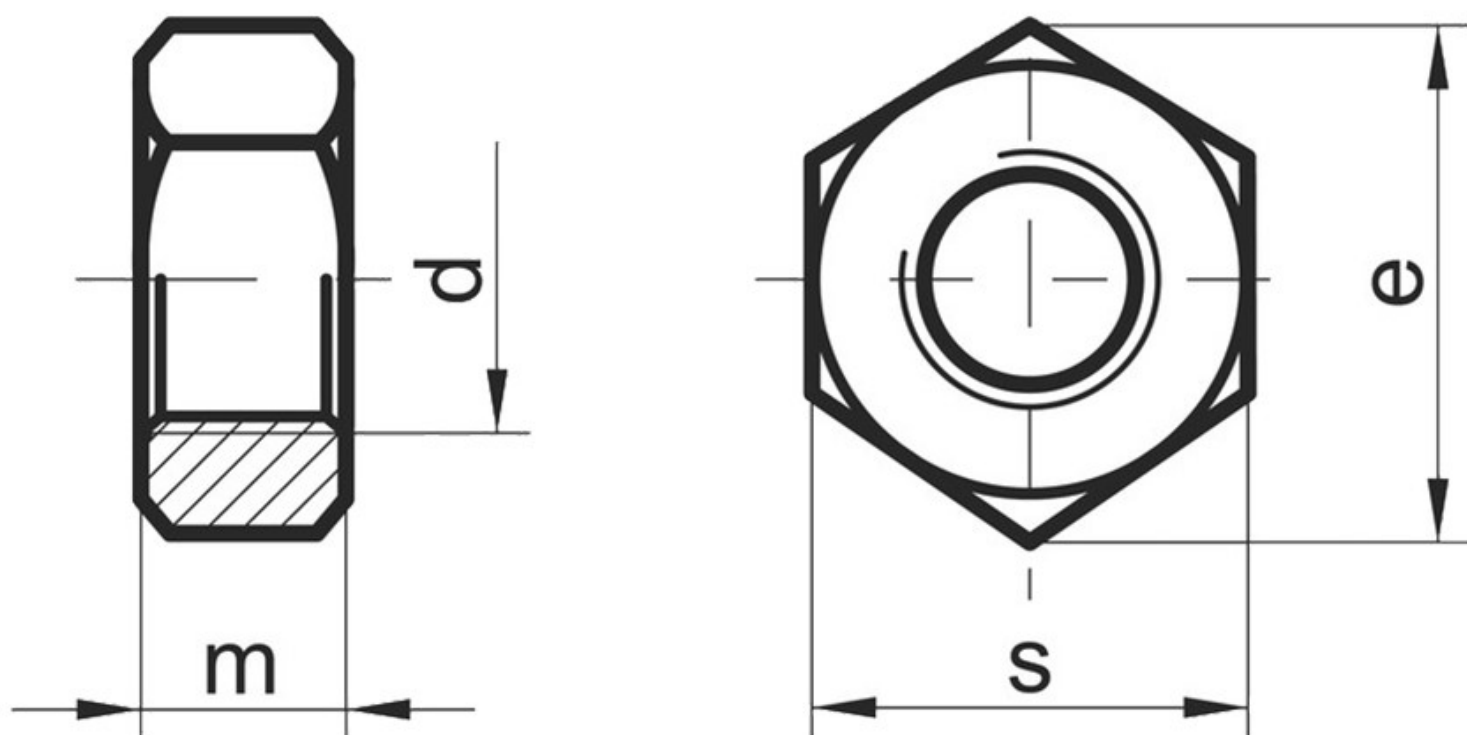


## DIN 934 ISO 4032



d	M2	M3	M4	M5	M6	M8	M10	M12	M16
p	0.4	0.5	0.7	0.8	1.0	1.25	1.5	1.75	2.0
m	1.6	2.4	3.2	4.0	5.0	6.5	8.0	10.0	13.0
e	4.32	6.01	7.66	8.79	11.05	14.38	18.9	21.1	16.75
s	4.0	5.5	7.0	8.0	10.0	13.0	17.0	19.0	24.0
d	M20	M24	M30	M36	M42	M48	M48		
p	2.5	3.0	3.5	4.0	4.5	5.0	5.5		
m	16.0	19.0	24.0	29.0	34.0	38.0	45.0		
e	32.95	39.55	50.85	60.79	71.3	82.6	93.56		
s	30.0	36.0	46.0	55.0	65.0	75.0	85.0		