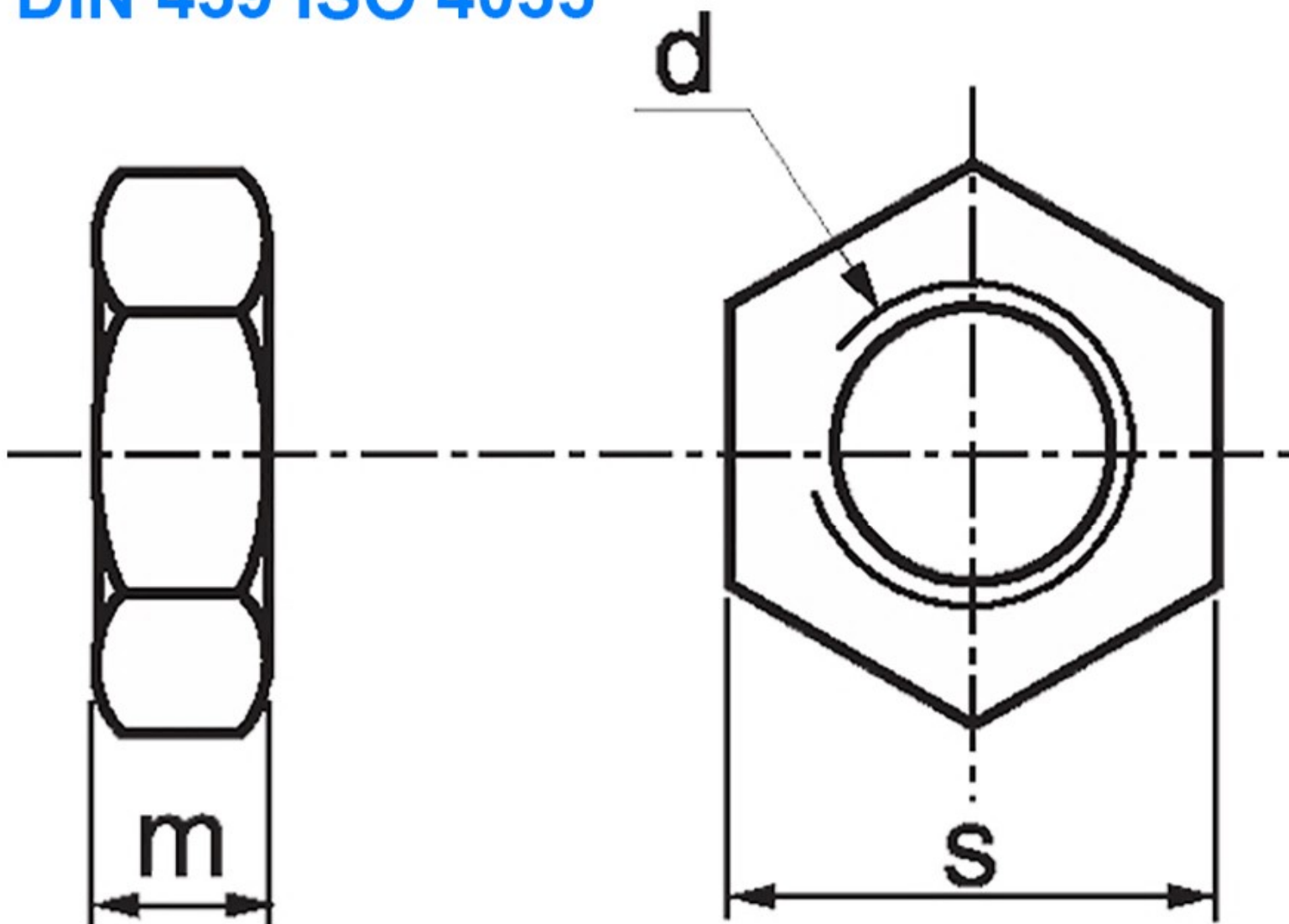


DIN 439 ISO 4035



d	M1.6	M1.8	M2	M2.5	M3	M3.5	M4	M5	M6	M8	M10	M12	M14	M16
p	0.35	0.35	0.4	0.45	0.5	0.6	0.7	0.8	1.0	1.0/1.2 5	1.0/1.2 5/1.5	1.25/1. 5/1.75	1.5/2.0	1.5/2.0
m	1.0	1.1	1.2	1.6	1.8	2.0	2.2	2.7	3.2	4.0	5.0	6.0	7.0	8.0
m min	0.75	0.85	0.95	1.35	1.55	1.75	1.95	2.45	2.9	3.7	4.7	5.7	6.42	7.42
s max	3.2	3.5	4.0	5.0	5.5	6.0	7.0	8.0	10.0	13.0	17.0	19.0	22.0	24.0
s min	3.08	3.38	3.82	4.82	5.32	5.82	6.78	7.78	9.78	12.73	16.73	18.67	21.67	23.67
d	M18	M20	M22	M24	M27	M30	M33	M36	M39	M42	M45	M48	M52	
p	1.5/2.0 /2.5	1.5/2.0 /2.5	1.5/2.0 /2.5	1.5/2.0 /3.0	1.5/2.0 /3.0	1.5/2.0 /3.5	1.5/2.0 /3.5	1.5/2.0 /3.0/4. 0	1.5/2.0 /3.0/4. 0	1.5/2.0 /3.0/4. 5	1.5/2.0 /3.0/4. 5	1.5/2.0 /3.0/5. 0	1.5/2.0 /3.0/5. 0	
m	9.0	10.0	11.0	12.0	13.5	15.0	16.5	18.0	19.5	21.0	22.5	24.0	26.0	
m min	8.42	9.1	9.9	10.9	12.4	13.9	15.4	16.9	18.2	19.7	21.2	22.7	24.7	
s max	27.0	30.0	32.0	36.0	41.0	46.0	50.0	55.0	60.0	65.0	70.0	75.0	80.0	
s min	26.16	29.16	31.0	35.0	40.0	45.0	49.0	53.8	58.8	63.1	68.1	73.1	78.1	