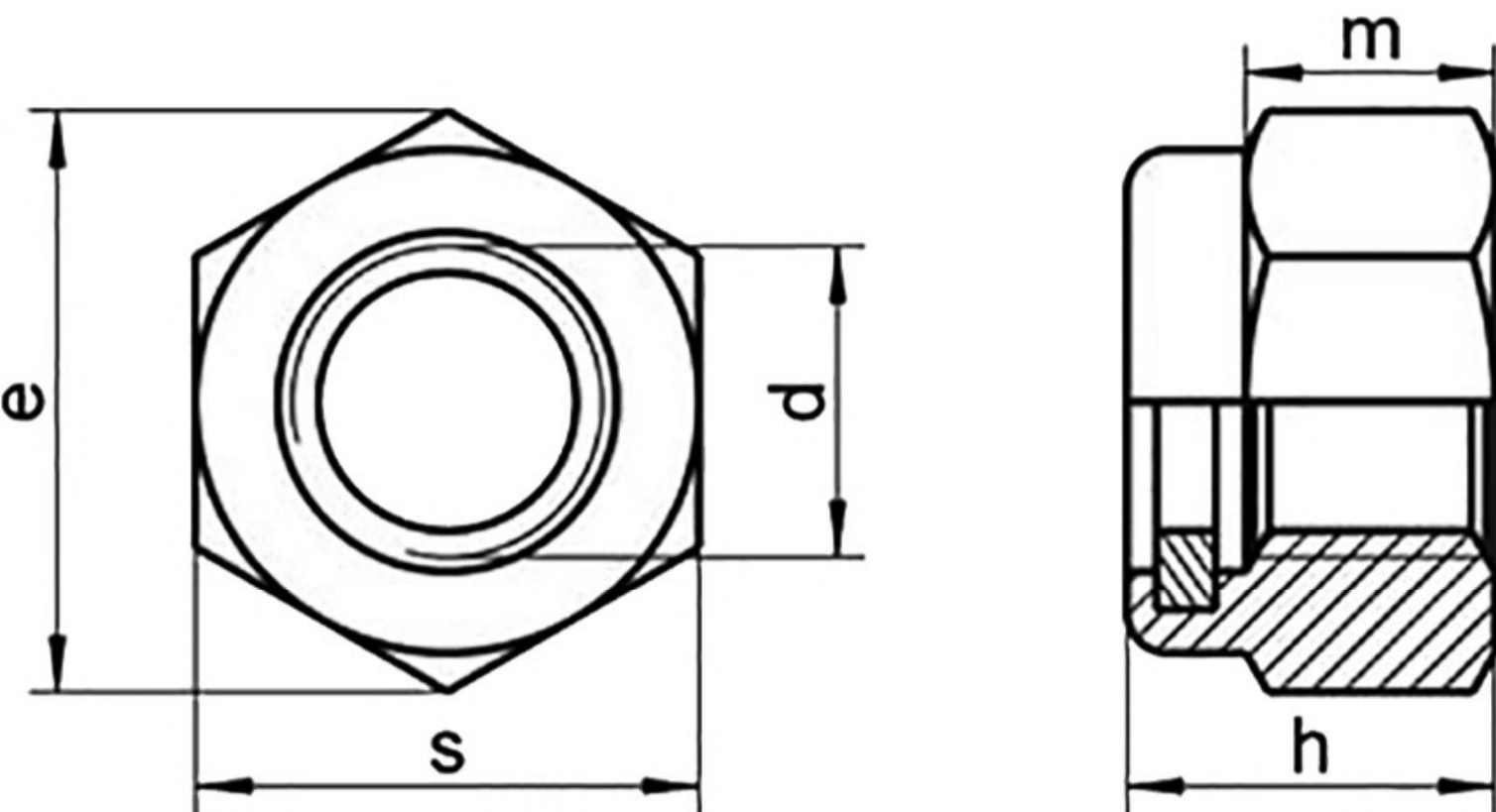


# DIN 982 ISO 7040



d	M5	M6	M7	M8	M10	M12
p	0.8	1.0	1.0	1.0/1.25	1.0/1.25/1.5	1.25/1.5/1.75
h max	6.3	8.0	8.5	9.5	11.5	14.0
h min	6.0	7.7	8.2	9.14	11.14	13.64
s max	8	10	11	13	17	19
s min	7.78	9.78	10.73	12.73	16.73	18.67
m min	4.4	4.9	6.14	6.44	8.04	10.37
d	M14	M16	M18	M20	M22	M24
p	1.5/2.0	1.5/2.0	1.5/2.0/2.5	1.5/2.0/2.5	1.5/2.0/2.5	2.0/3.0
h max	16.0	18.0	20.0	22.0	25.0	28.0
h min	15.3	17.3	19.16	20.7	23.7	26.7
s max	22	24	27	30	32	36
s min	21.67	23.67	26.16	29.16	31.0	35.0
m min	12.1	14.1	15.1	16.9	18.1	20.2