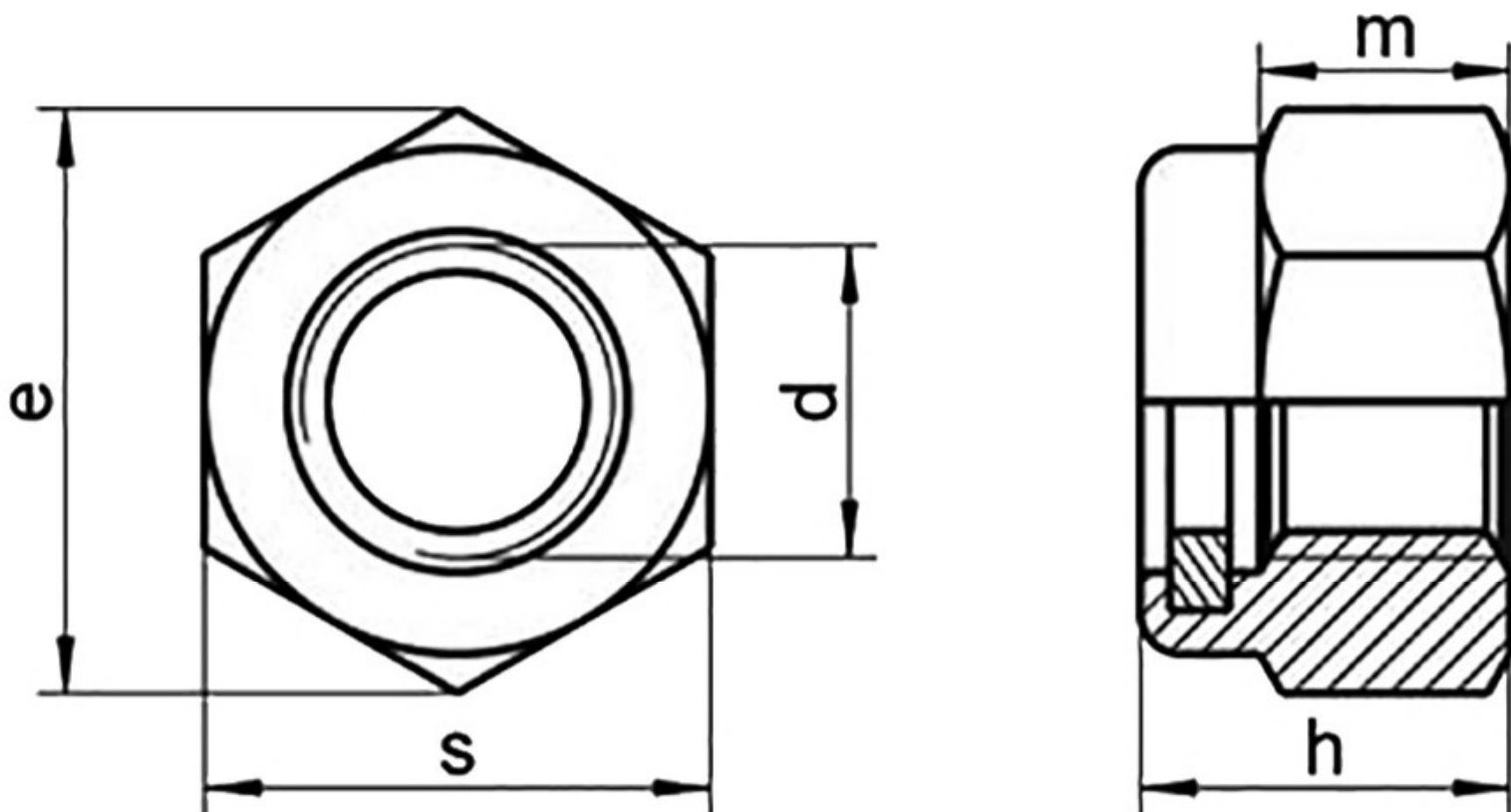


# DIN 985 ISO 10511



d	M2	M2.5	M3	M4	M5	M6	M7	M8	M10	M12	M14	M16
p	0.4	0.45	0.5	0.7	0.8	1.0	1.0	1.0/1.25	1.0/1.25/1.5	1.25/1.5/1.7	1.5/2.0	1.5/2.0
h max	3	3.8	4	5	5	6	7.5	8	10	12	14	16
h min	2.86	3.6	3.7	4.7	4.7	5.7	7.14	7.64	9.64	11.57	13.3	15.3
m min	2.86	3.6	3.7	4.7	4.7	4.7	4.7	5.5	6.5	8	9.5	10.5
s max	4	5	5.5	7	8	10	11	13	17	19	22	24
s min	3.82	4.78	5.32	6.78	7.68	9.78	10.73	12.73	16.73	18.67	21.67	23.67
d	M18	M20	M22	M24	M27	M30	M33	M36	M39	M42	M45	M48
p	1.5/2.0/2.5	1.5/2.0/2.5	1.5/2.0/2.5	2.0/3.0	2.0/3.0	2.0/3.5	2.0/3.5	3.0/4.0	3.0/4.0	3.0/4.5	3.0/4.5	3.0/5.0
h max	18.5	20	22	24	27	30	33	36	39	42	45	48
h min	17.66	18.7	20.7	22.7	25.7	28.7	31.4	34.4	37.4	40.4	43.4	45.4
m min	13	14	15	15	17	19	22	25	27	29	32	36
s max	27	30	32	36	41	46	50	55	60	65	70	75
s min	26.16	29.16	31	35	40	45	49	53.8	58.8	63.8	68.1	73.1